

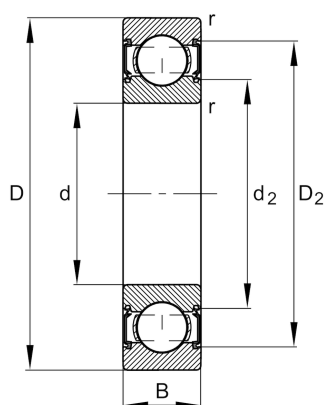
FAG

6201-C-2HRS

Deep groove ball bearing

Schaeffler ID:
0956619210000Deep groove ball bearing 62...-C-2HRS,
single row, Generation C, seals, steel
sheet metal cage

Technical information

**Dimensions**

r_{\min}	0.6 mm	Minimum chamfer dimension
D_2	27.9 mm	Caliber diameter outer ring
d_2	17.2 mm	Caliber diameter inner ring
	0.036 kg	Weight

Main Dimensions & Performance Data

d	12 mm	Bore diameter
D	32 mm	Outside diameter
B	10 mm	Width
C_r	8,000 N	Basic dynamic load rating, radial
C_{0r}	3,100 N	Basic static load rating, radial
C_{ur}	213 N	Fatigue load limit, radial
n_G	22,500 1/min	Limiting speed

Mounting dimensions

$d_{a\min}$	16.2 mm	Minimum diameter shaft shoulder
$D_{a\max}$	27.8 mm	Maximum diameter of housing shoulder
$r_{a\max}$	0.6 mm	Maximum fillet radius

Calculation factors

f_0	12.3	Calculation factor
-------	------	--------------------

Temperature range

T_{\min}	-20 °C	Operating temperature min.
T_{\max}	100 °C	Operating temperature max.

